



# SEALANDER

C A N A D A

## 2018 EQUIPMENT LIST FOR THE UNITED STATES

### SEALANDER BASIC PACKAGE



#### Exterior

- Monocoque shell in reinforced fiberglass laminate (standard color pure white to RAL 9010)
- Double base with 4 inspection hatches
- Waterproof uniaxial chassis (fully Zinc galvanized with hubs encased in oil) with removable clutch
- 13 inches aluminum alloy rims with 185/55 tires
- Vehicle rear lights (LED, waterproof) and Trailer cable connector (7 pins)
- Hatch with tinted acrylic glass panel and gas cylinders holder
- Two lateral tinted panorama acrylic glass
- Convertible folding top made of polyester, fiberglass rod reinforced (110" x 47" / 280 x 120 cm) with zipper
- Multifunction polished stainless steel ladder for access, swimming and ground support
- Handrails and fittings in polished stainless steel
- Rubbing strake all round made of plastic and stainless steel.
- Electric motor support made in stainless steel and PE at the rear (for motorization to 8 HS)



#### Interior

- Interior is made of GFRP moulded components (standard color pure white RAL 9010)
- Lockers, cabinet doors and panels of lightweight plywood panels (AW 100 glued)
- With real wood veneer (standard teck finish) painted with lipping
- 4 ground support stabilizers for ground parking
- Owners Manual



#### Electronic

- Onboard battery GEL 12V/80Ah mounted with plastic battery box and strap
- Electronics board harness mounted with connectors
- Switch control panel and fuse with cigarette lighter 12V socket
- Additional 12V cigarette lighter socket in the cupboard (for cooler)
- Interior lighting, 2 LED strips 110 inches/280cm (RGB) including the remote controls and installation 120 V connection on the outside (with cover) 120V sockets (2 pcs) in the interior
- Voltage converter and charger for the boat battery
- Additional lighting, 2 LED downlight on the front above both sideboards (adjustable with flip switch)
- Color changing LED indirect lights each side of the window, with remote control
- 7 way trailer connector with 6' cable length



### Living

- Complete sets of curtains, custom-made curtains for front and side windows, (lightfast and opaque) (standard color anthracite gray)
- Complete sets of interior cushions for sitting and sleeping, (synthetic leather) (standard color anthracite gray)
- Table top made of lightweight wood worktop (AW 100 glued) with real wood veneer knife cut, painted with lipping, with detachable clamps, table leg and mount (removable) (standard finish teck wood)



### Cooking

- Single flame "alcohol" cooker station with wooden cover



### Wash

- Stainless steel sink with glass tinted cover plate, electric tap with water pump
- 2.8 gallons/13 liters fresh water tank
- 3.5 gallons/16 liters waste water tank



### Cooler

- Compressor-Cooler 4.5 gallons/18 liters Cigarette lighter (12V) in the cupboard



### Audio

- Marine-Radio, USB, AUX, Bluetooth and iPod compatible with 2 Marine-Outdoor speakers 120W



### Marine Package

- 2 Fender lines
- Mooring lines (33 feet/10m each including eye-splicing)
- Plate anchor (7.5pounds/ 8 kg with 65,5 feet/20m anchor rope)
- Mooring light (modular light for overnight stay on water)
- First aid kit
- Flashlight

**Inquire : [info@sealandercanada.com](mailto:info@sealandercanada.com)**

## OPTIONAL FINISHES

- D 16011 Bodysell**  
One color option: black
- D 16012 Convertible Folding Top**  
Color choices for interior and exterior top
- D 16013 Cushions**  
Color choices for complete pad-set
- D 16014 Curtains**  
Color choices
- D 16015 Interior Wood Elements**  
Choice of 2 wood types

## OTHER OPTIONS

- E 16010 Onboard Shower**  
External shower retractable on front deck  
Splashproof protector on front deck  
(connected to fresh water tank)
- Z 16020 Onboard Portable BBQ**  
COBB BBQ Premium-Compact-Set made in stainless steel  
with cover- bag storage and 6 Cobbler-Pads
- Q16023 Fly Screen**  
2 Fly screens, front "door" and  
back "Convertible Folding Top"
- Q16024 Exterior Protector Cover**  
Complete vehicle cover for protection against dirt and weather

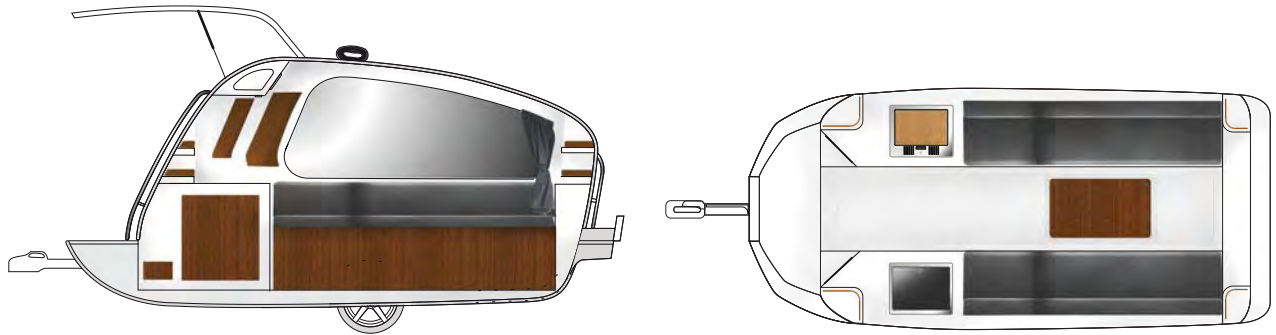


For further informations,  
please contact us:

**info@sealandercanada.com**  
**www.sealandercanada.com**  
**514-398-0533**  
**Montreal, Qc**

## **INTERIOR FINISH, BASIC PACKAGE**

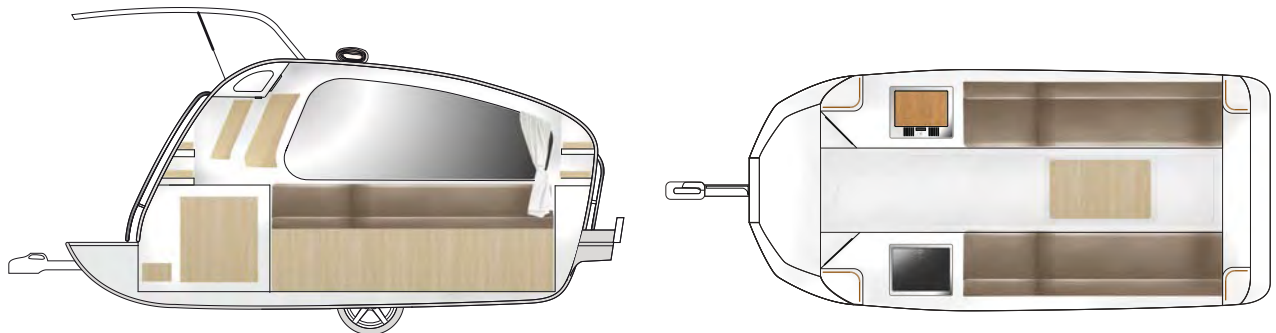
THE ANTHRACITE / TECK



---

## **OPTIONAL INTERIOR FINISHES**

**Option 1:** THE NATURAL / BLOND WOOD



**Option 2:** THE MARINE / SAPELLI

